

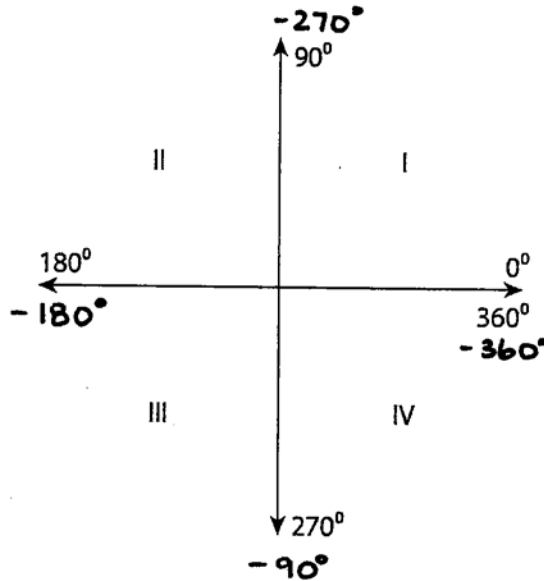
2.1 Worksheets

Name: KEY

Finding Quadrants - Degrees

Sheet 3

Determine the quadrant that contains the terminal side of each angle in standard position.



1) 93°

II

2) 320°

IV

3) -155°

III

4) $608^\circ = 248^\circ$
 -360

III

5) $-712^\circ = -352^\circ$
 $+360$

I

6) -200°

II

7) -6°

IV

8) $484^\circ = 124^\circ$
 -360

II

9) 69°

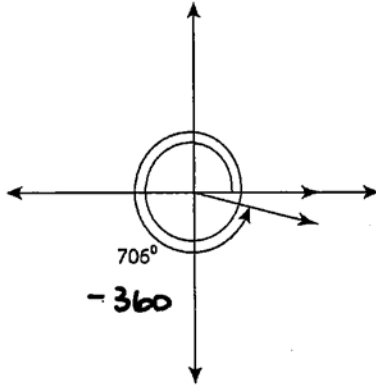
I

Name: _____

Coterminal Angles - Degrees

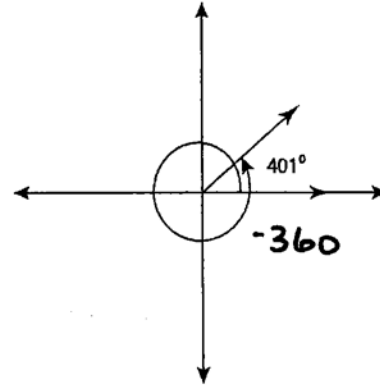
Find the coterminal angle between 0° and 360° for each angle.

1)



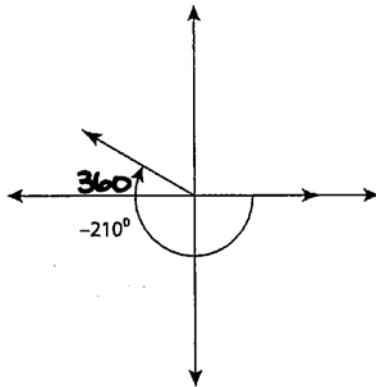
346°

2)



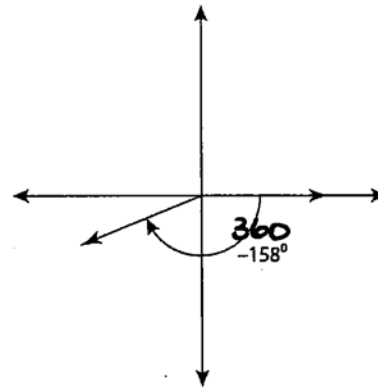
41°

3)



150°

4)



202°

$$\begin{array}{r} 5) \quad 837^\circ \\ \quad -360 \\ \hline \quad 477 \\ \quad -360 \\ \hline \end{array}$$

117°

$$\begin{array}{r} 6) \quad -480^\circ \\ \quad +360 \\ \hline \quad -120 \\ \quad +360 \\ \hline \end{array}$$

240°

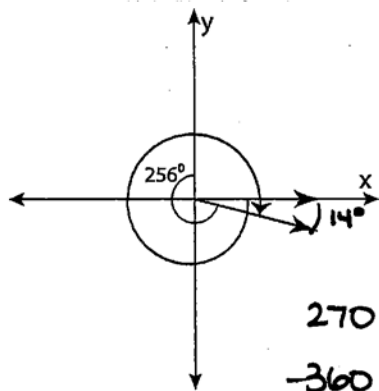
$$\begin{array}{r} 7) \quad 914^\circ \\ \quad -360 \\ \hline \quad 554 \\ \quad -360 \\ \hline \end{array}$$

194°

Angles - Degrees

Find the measure of each indicated angle.

1)

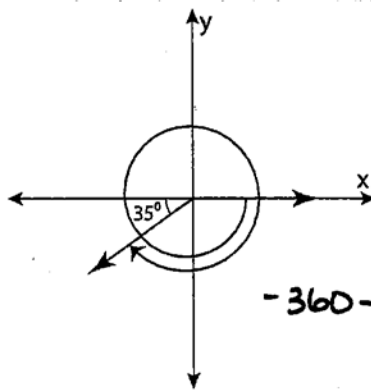


$$270 - 256 = 14$$

$$-360 - 14 =$$

-374°

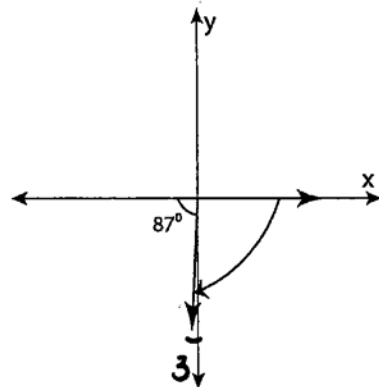
2)



$$-360 - 180 + 35 =$$

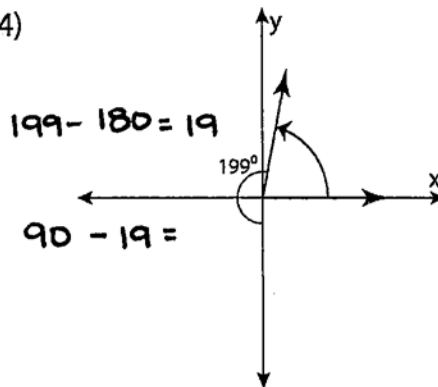
-505°

3)



-93°

4)

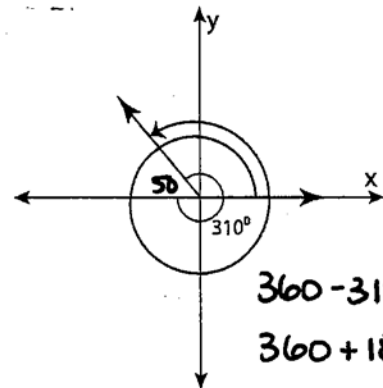


$$199 - 180 = 19$$

$$90 - 19 =$$

71°

5)

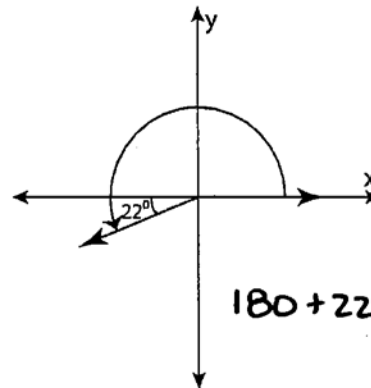


$$360 - 310 = 50$$

$$360 + 180 - 50 =$$

490°

6)



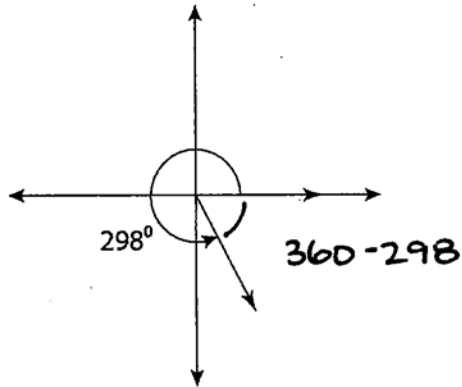
$$180 + 22 =$$

202°

Reference Angles - Degrees

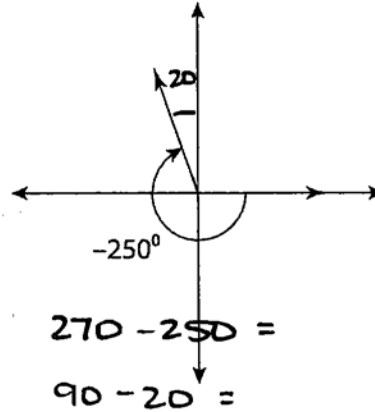
Find the reference angle.

1)



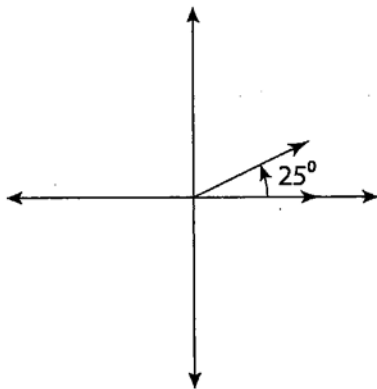
62°

2)



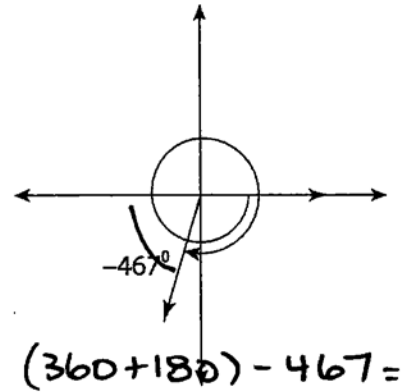
70°

3)



25°

4)



73°

5)

$$\begin{array}{r} -353^\circ \\ + 360 = \end{array}$$

7°

6)

$$\begin{array}{r} -156^\circ \\ + 360 \\ \hline 204 \\ 204 \\ - 180 \\ \hline \end{array}$$

24°

7)

$$\begin{array}{r} 217^\circ \\ 217 \\ - 180 \\ \hline \end{array}$$

37°