

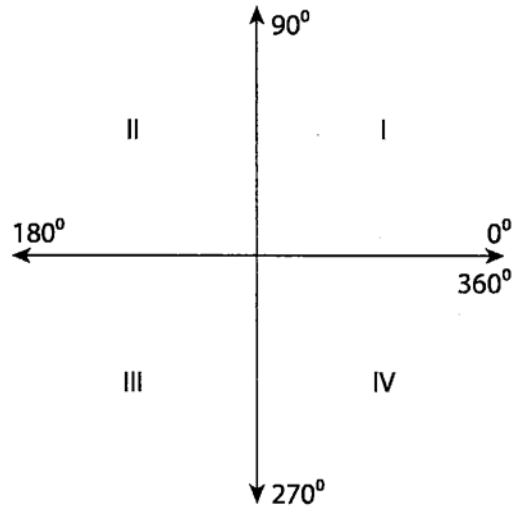
2.1 Worksheets

Name: _____

Finding Quadrants - Degrees

Sheet 3

Determine the quadrant that contains the terminal side of each angle in standard position.



1) 93°

2) 320°

3) -155°

4) 608°

5) -712°

6) -200°

7) -6°

8) 484°

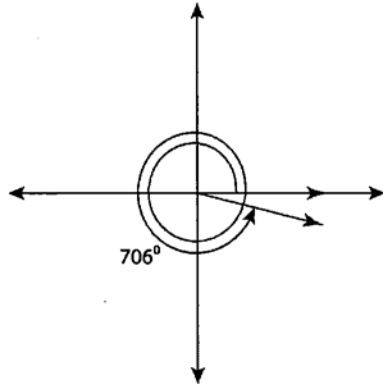
9) 69°

Name: _____

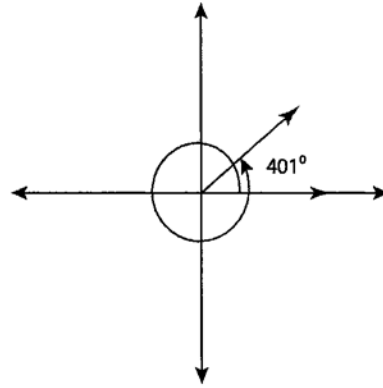
Coterminal Angles - Degrees

Find the coterminal angle between 0° and 360° for each angle.

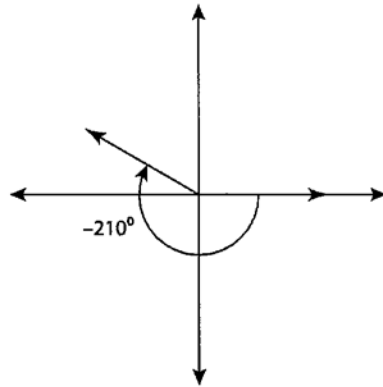
1)



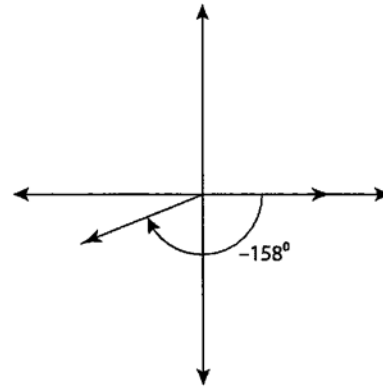
2)



3)



4)



5) 837°

6) -480°

7) 914°

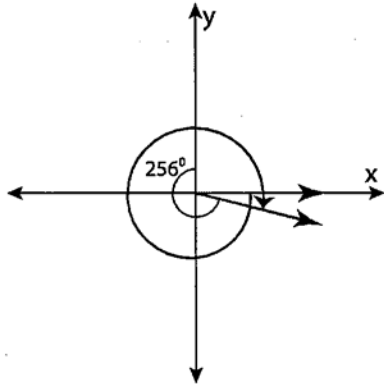
Name : _____

Angles - Degrees

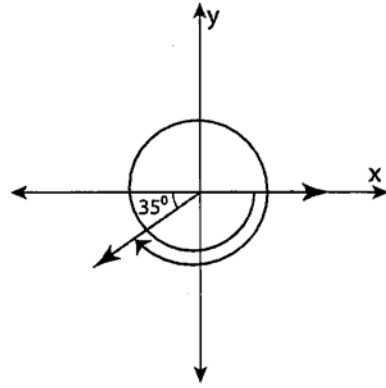
Sheet 3

Find the measure of each indicated angle.

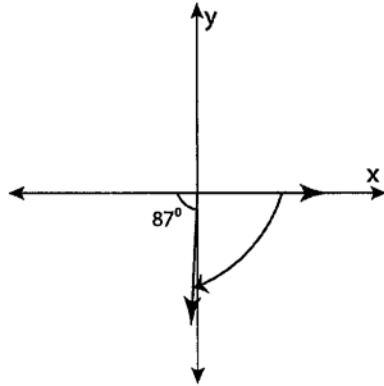
1)



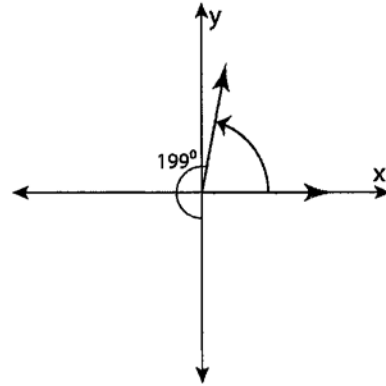
2)



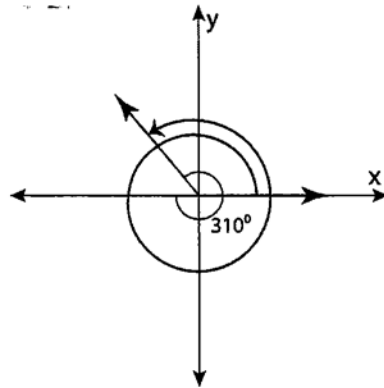
3)



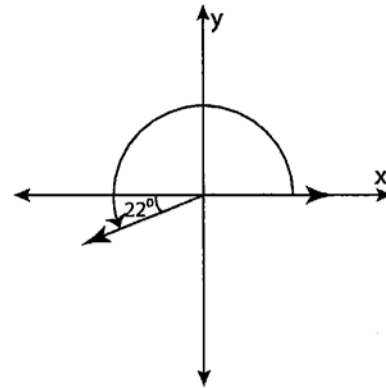
4)



5)



6)



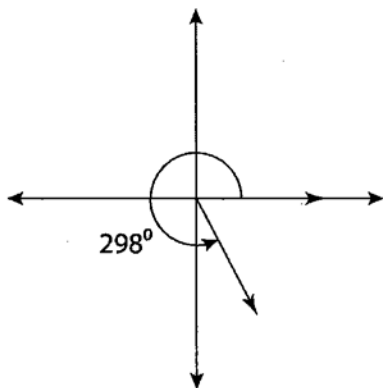
Name: _____

Reference Angles - Degrees

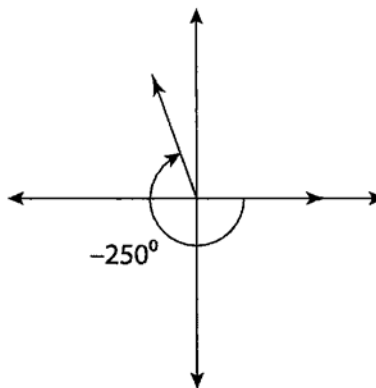
Sheet 3

Find the reference angle.

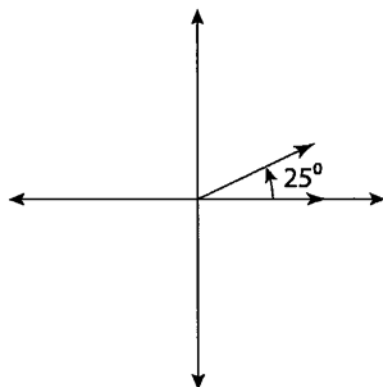
1)



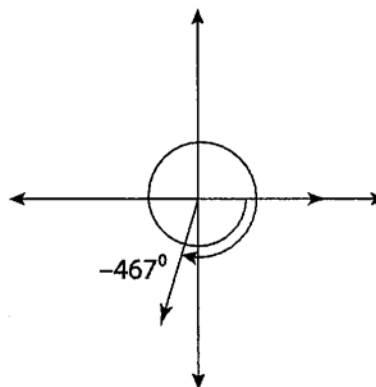
2)



3)



4)



5) -353°

6) -156°

7) 217°
