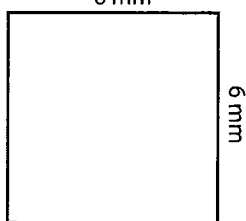


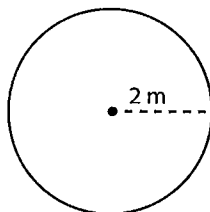
Area - Mixed Shapes

Level 1: S2

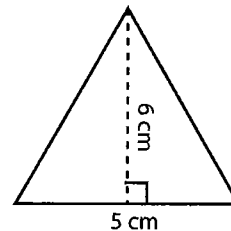
Find the area of each figure.

1) 6×6 

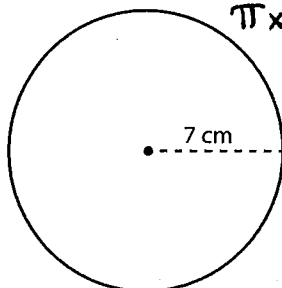
Area = 36 mm^2

2) $\pi \times 2 \times 2$ 

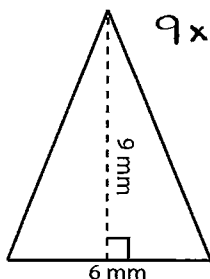
Area = 12 m^2
or 12.6 m^2

3) $5 \times 6 \div 2$ 

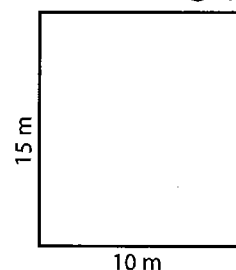
Area = 15 cm^2

4) $\pi \times 7 \times 7$ 

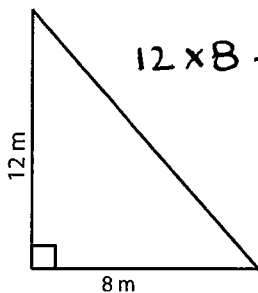
Area = 147 cm^2
or 153.9 cm^2

5) $9 \times 6 \div 2$ 

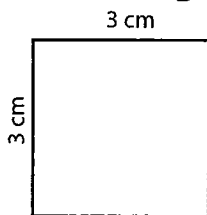
Area = 27 mm^2

6) 15×10 

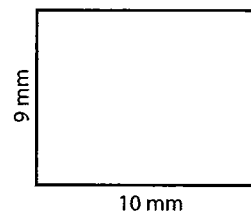
Area = 150 m^2

7) $12 \times 8 \div 2$ 

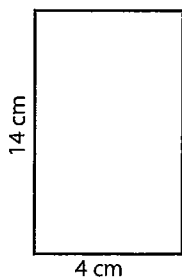
Area = 48 m^2

8) 3×3 

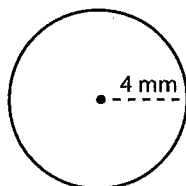
Area = 9 cm^2

9) 9×10 

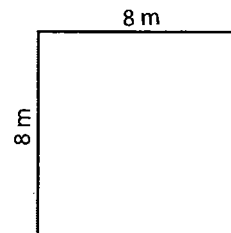
Area = 90 mm^2

10) 14×4 

Area = 56 cm^2

11) $\pi \times 4 \times 4$ 

Area = 48 mm^2
or 50.3 mm^2

12) 8×8 

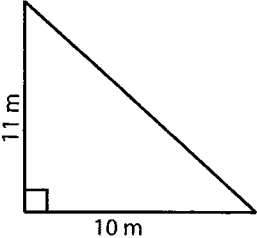
Area = 64 m^2

Area - Mixed Shapes

Level 1: S3

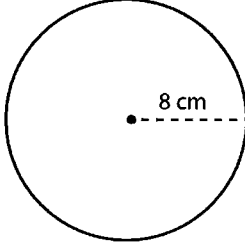
Find the area of each figure.

1) $11 \times 10 \div 2$



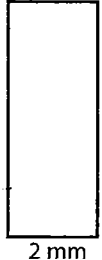
Area = 55m^2

2) $\pi \times 8 \times 8$



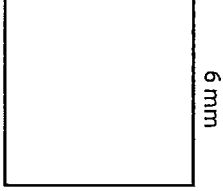
Area = 192cm^2
or 201.1cm^2

3) 2×10



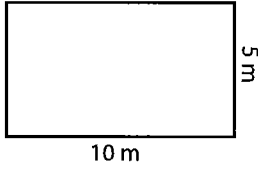
Area = 20mm^2

4) 6×6



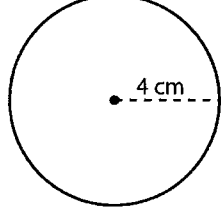
Area = 36mm^2

5) 10×5



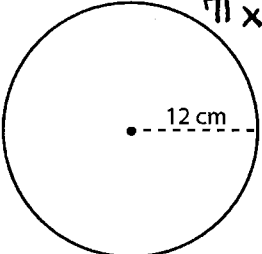
Area = 50m^2

6) $\pi \times 4 \times 4$



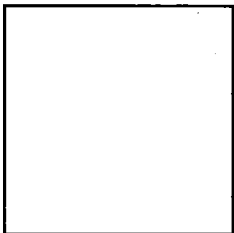
Area = 48cm^2
or 50.3cm^2

7) $\pi \times 12 \times 12$



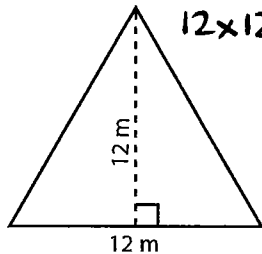
Area = 432cm^2
or 452.4cm^2

11×11



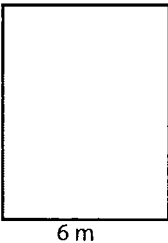
Area = 121mm^2

9) $12 \times 12 \div 2$



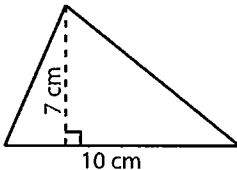
Area = 72m^2

10) 13×6



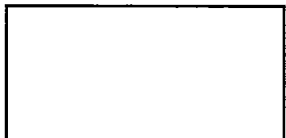
Area = 78m^2

11) $10 \times 7 \div 2$



Area = 35cm^2

12) 12×7



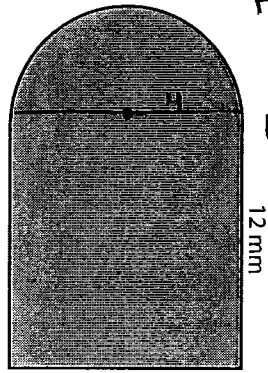
Area = 84mm^2

Area - Compound Shapes

Add: 51

Find the area of each figure. Round the answer to 2 decimal places if necessary.

1)



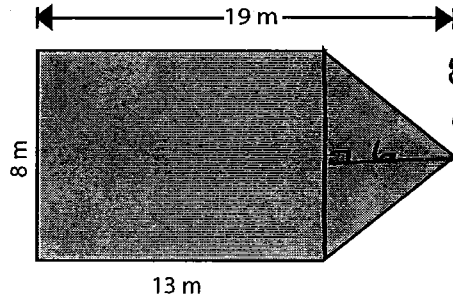
$$\pi \times 4 \times 4 \quad 2)$$

$$= 48 \div 2 = 24$$

$$12 \times 8 = 96$$

8 mm

Area = 120 mm²
or 121.1 mm²

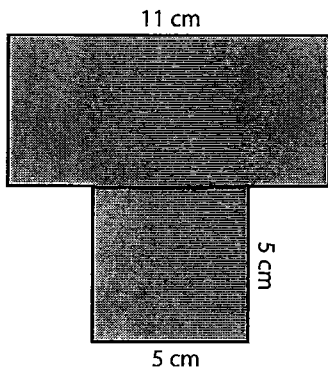


$$8 \times 13 = 104$$

$$8 \times 6 \div 2 = 24$$

Area = 128 m²

3)

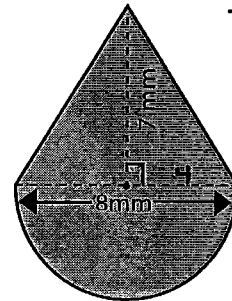


$$11 \times 4 = 44$$

$$5 \times 5 = 25$$

Area = 69 cm²

4)

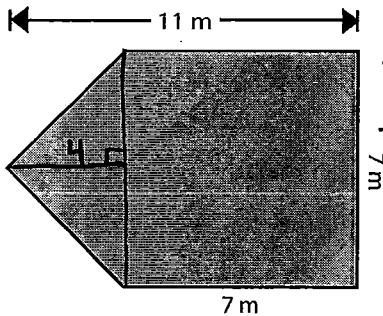


$$7 \times 8 \div 2 = 28$$

$$\pi \times 4 \times 4 = 48 \div 2 = 24$$

Area = 52 mm²
or 53.1 mm²

5)

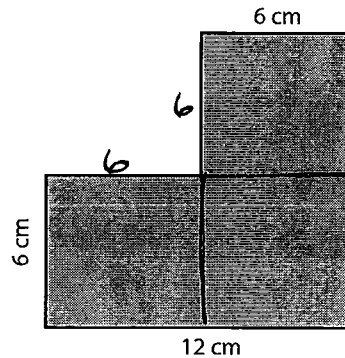


$$7 \times 7 = 49$$

$$7 \times 4 \div 2 = 14$$

Area = 63 m²

6)



$$6 \times 6 = 36$$

$$6 \times 6 = 36$$

$$6 \times 6 = 36$$

Area = 108 cm²

Area - Compound Shapes

Add: S2

Find the area of each figure. Round the answer to 2 decimal places if necessary.

